

S3.25

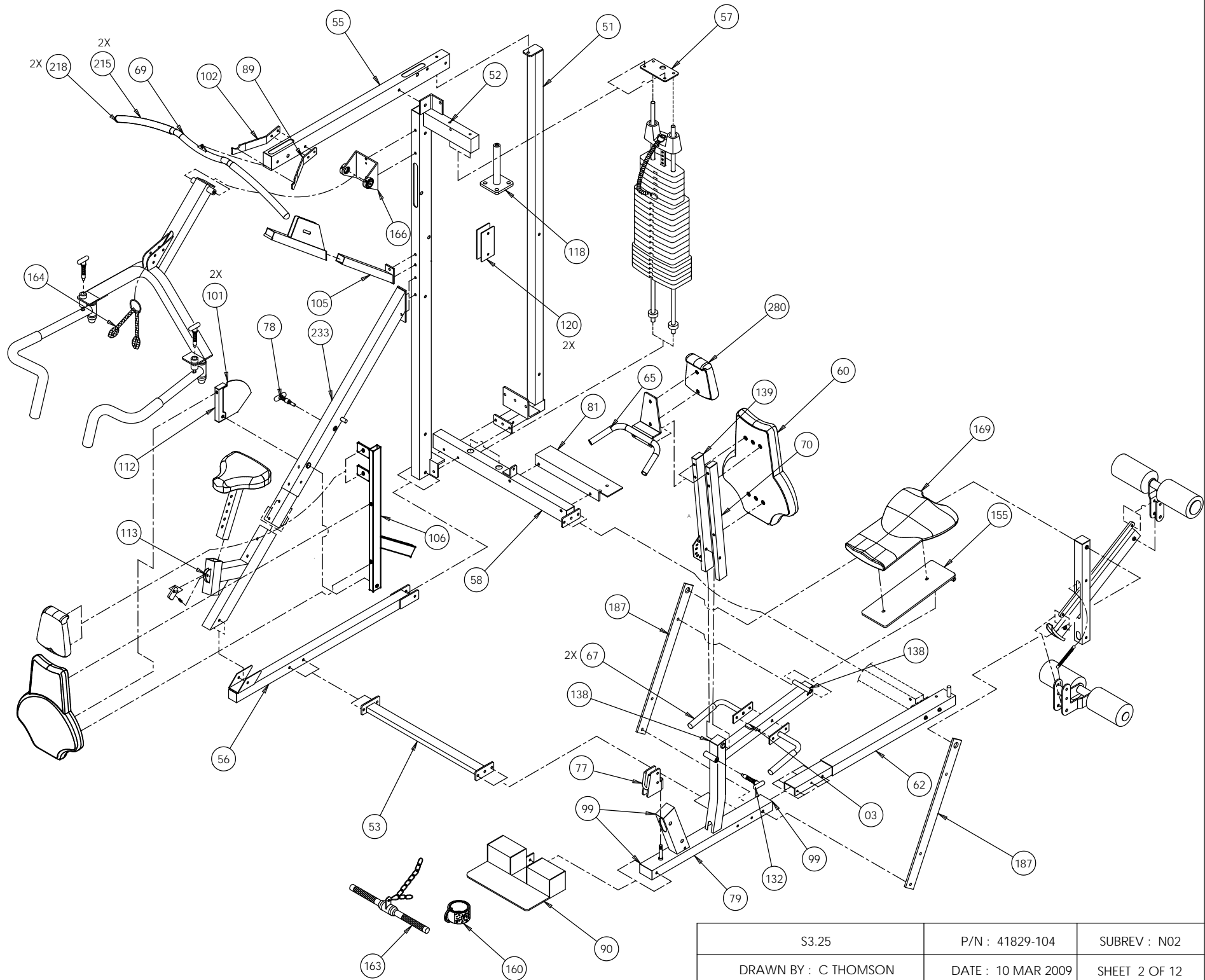
P/N : 41829-104

SUBREV : N02

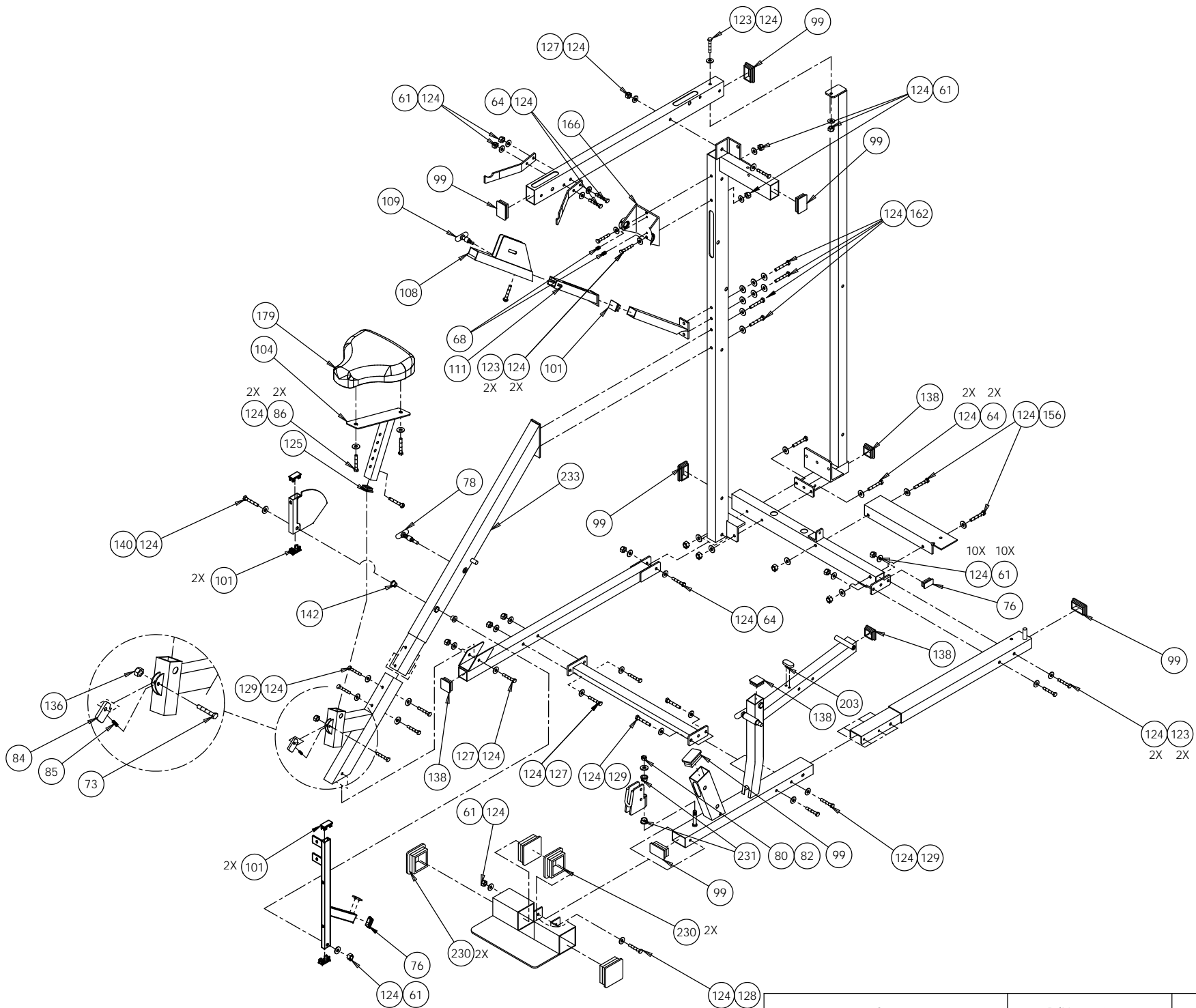
DRAWN BY : C THOMSON

DATE : 10 MAR 2009

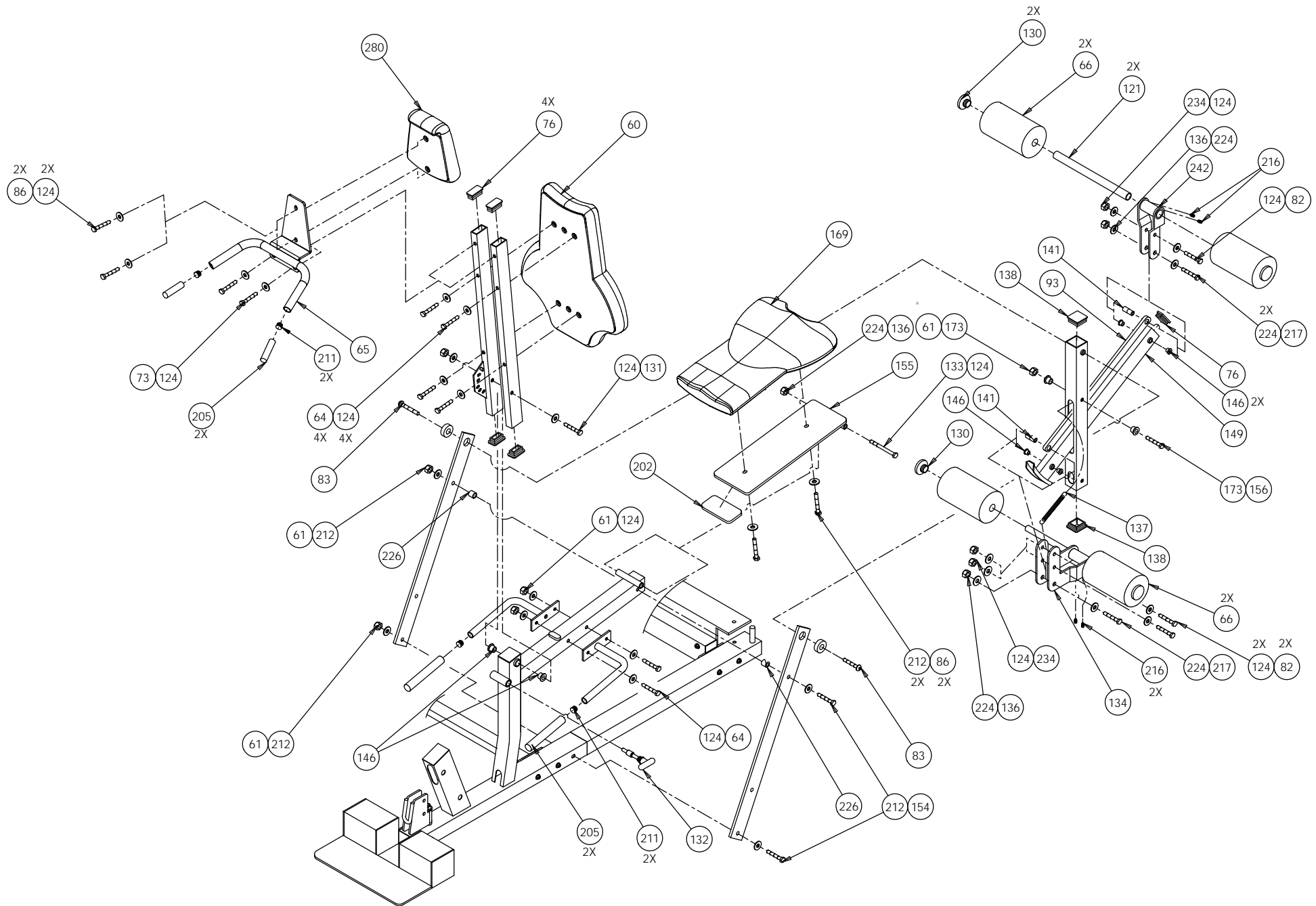
SHEET 1 OF 12



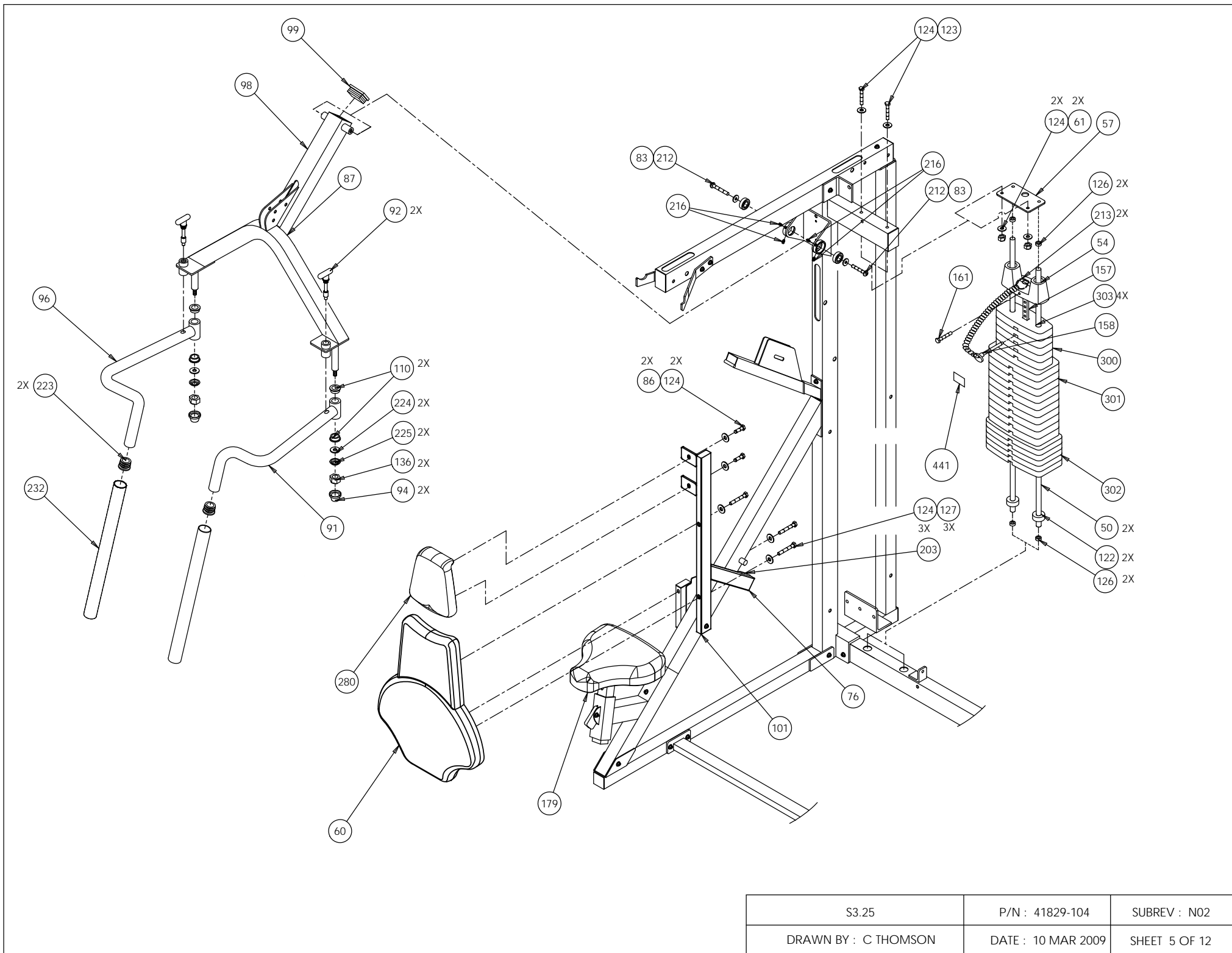
S3.25	P/N : 41829-104	SUBREV : N02
DRAWN BY : C THOMSON	DATE : 10 MAR 2009	SHEET 2 OF 12



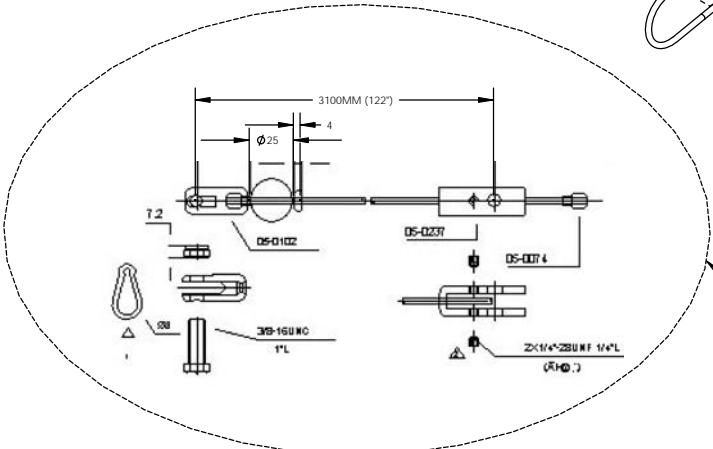
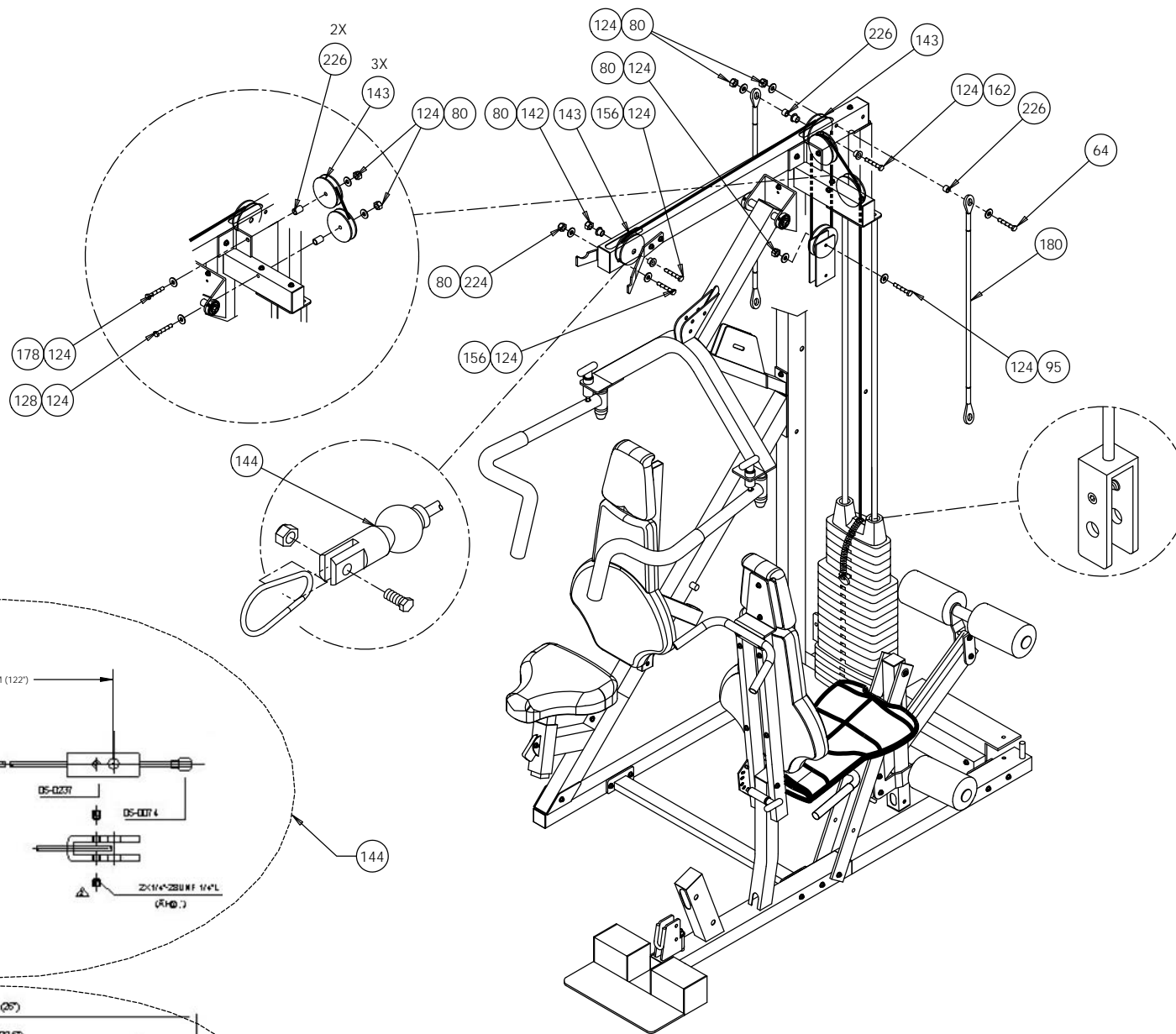
S3.25	P/N : 41829-104	SUBREV : N02
DRAWN BY : C THOMSON	DATE : 10 MAR 2009	SHEET 3 OF 12



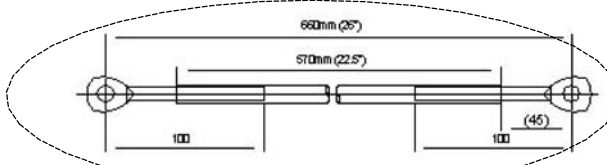
S3.25	P/N : 41829-104	SUBREV : N02
DRAWN BY : C THOMSON	DATE : 10 MAR 2009	SHEET 4 OF 12



S3.25	P/N : 41829-104	SUBREV : N02
DRAWN BY : C THOMSON	DATE : 10 MAR 2009	SHEET 5 OF 12

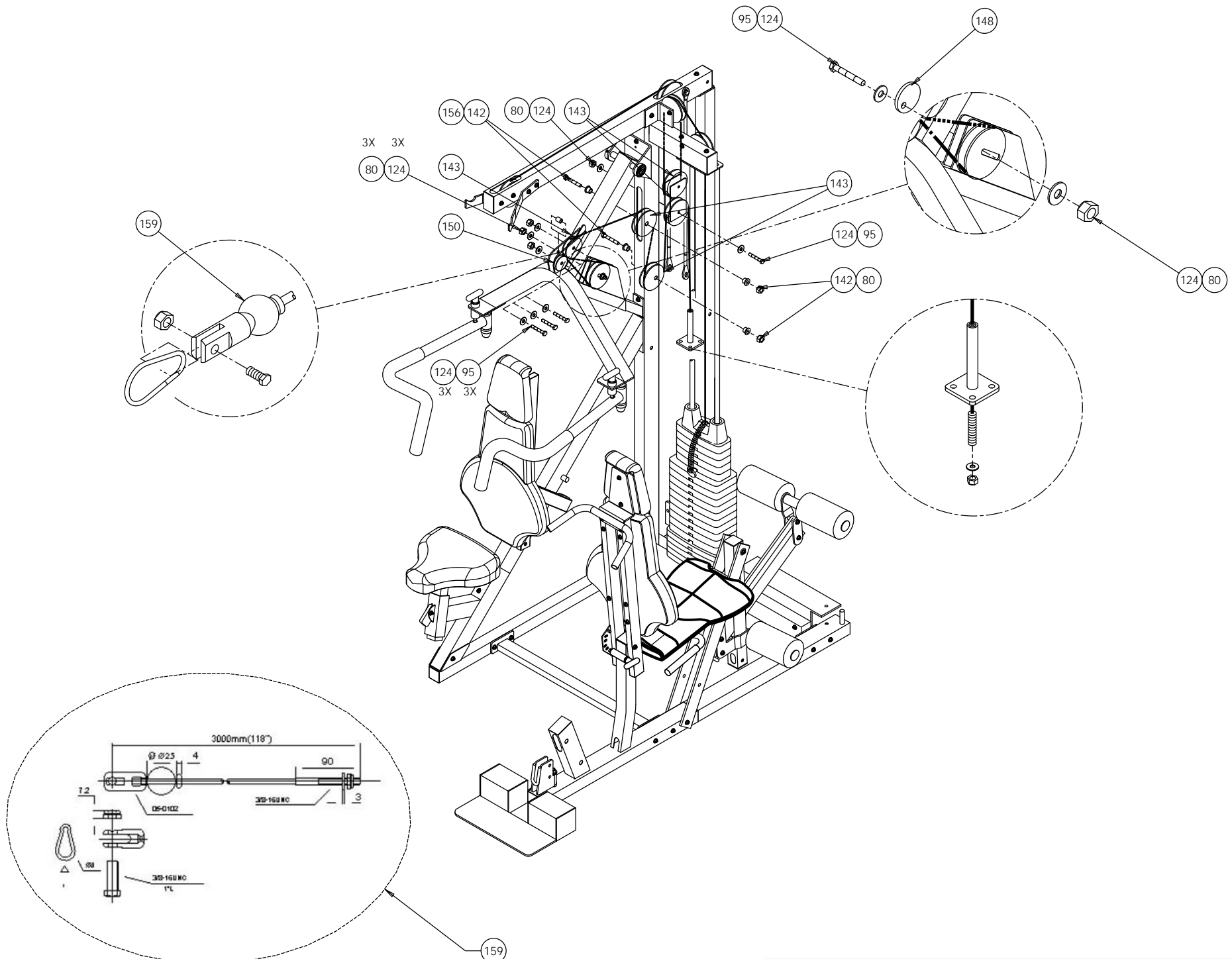


144

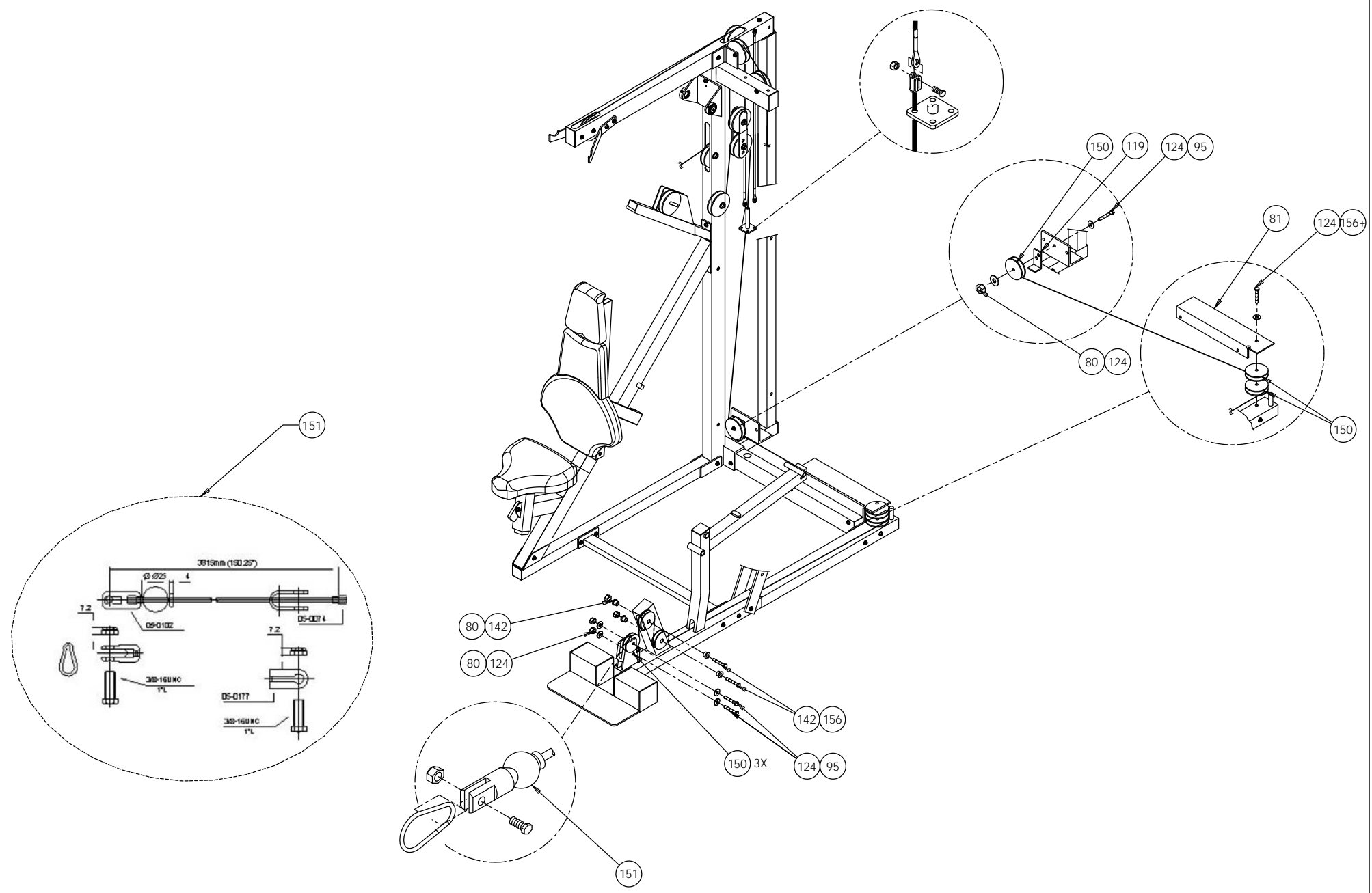


180

S3.25	P/N : 41829-104	SUBREV : N02
DRAWN BY : C THOMSON	DATE : 10 MAR 2009	SHEET 6 OF 12

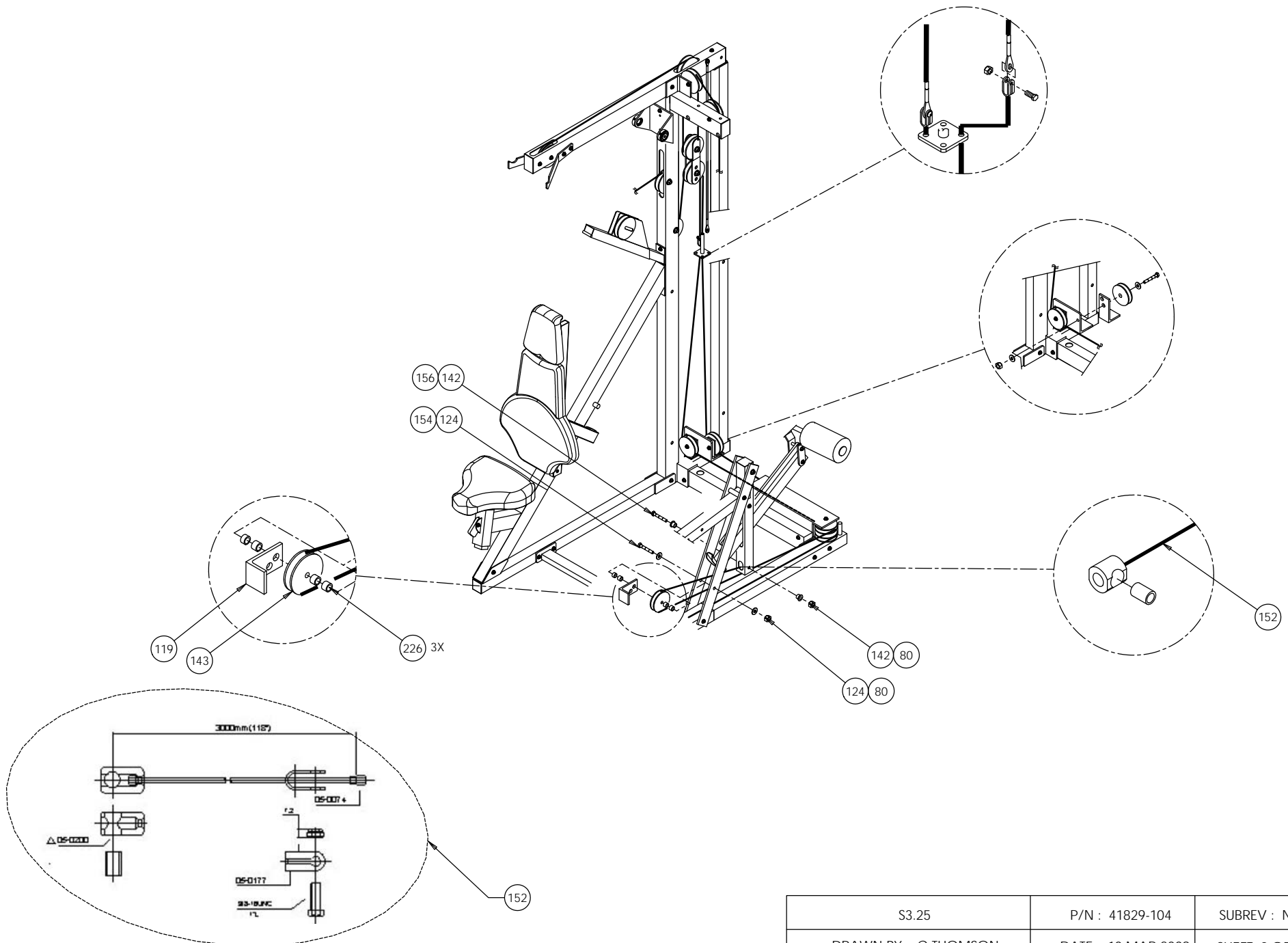


S3.25	P/N : 41829-104	SUBREV : N02
DRAWN BY : C THOMSON	DATE : 10 MAR 2009	SHEET 7 OF 12

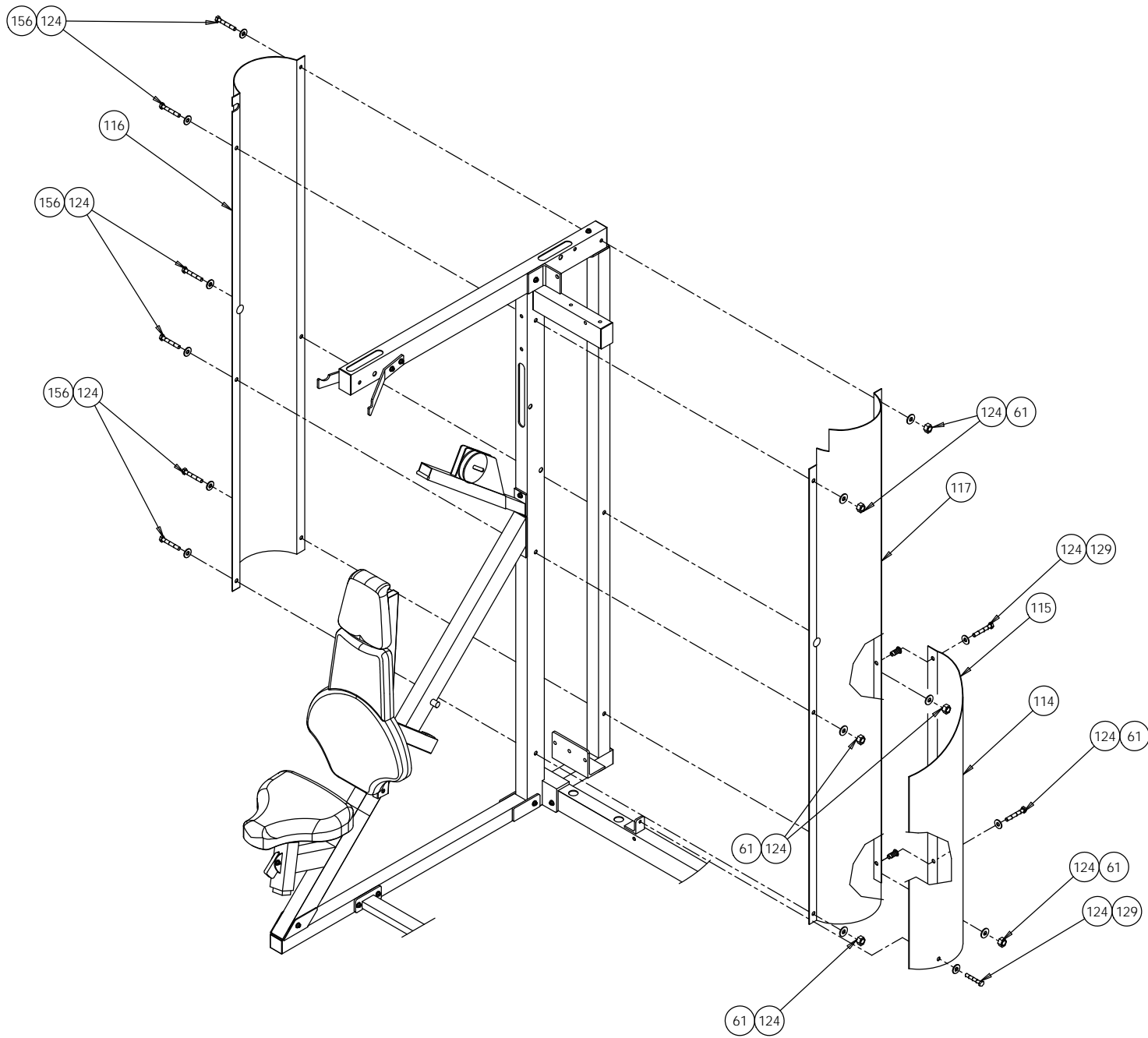


S3.25	P/N : 41829-104	SUBREV : N02
DRAWN BY : C THOMSON	DATE : 10 MAR 2009	SHEET 8 OF 12

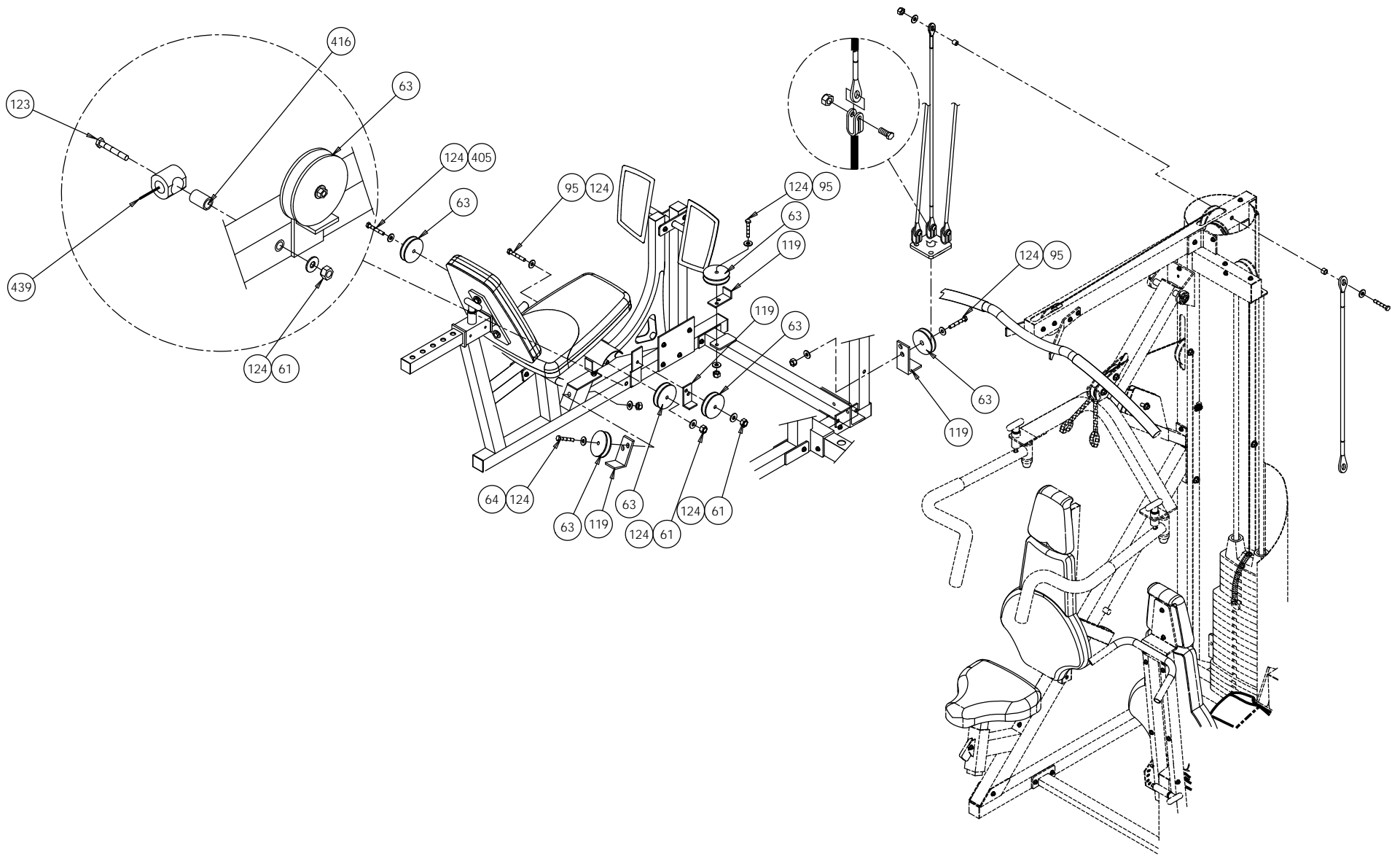




S3.25	P/N : 41829-104	SUBREV : N02
DRAWN BY : C THOMSON	DATE : 10 MAR 2009	SHEET 9 OF 12



S3.25	P/N : 41829-104	SUBREV : N02
DRAWN BY : C THOMSON	DATE : 10 MAR 2009	SHEET 10 OF 12



S3.25, LP4, STONE GRAY

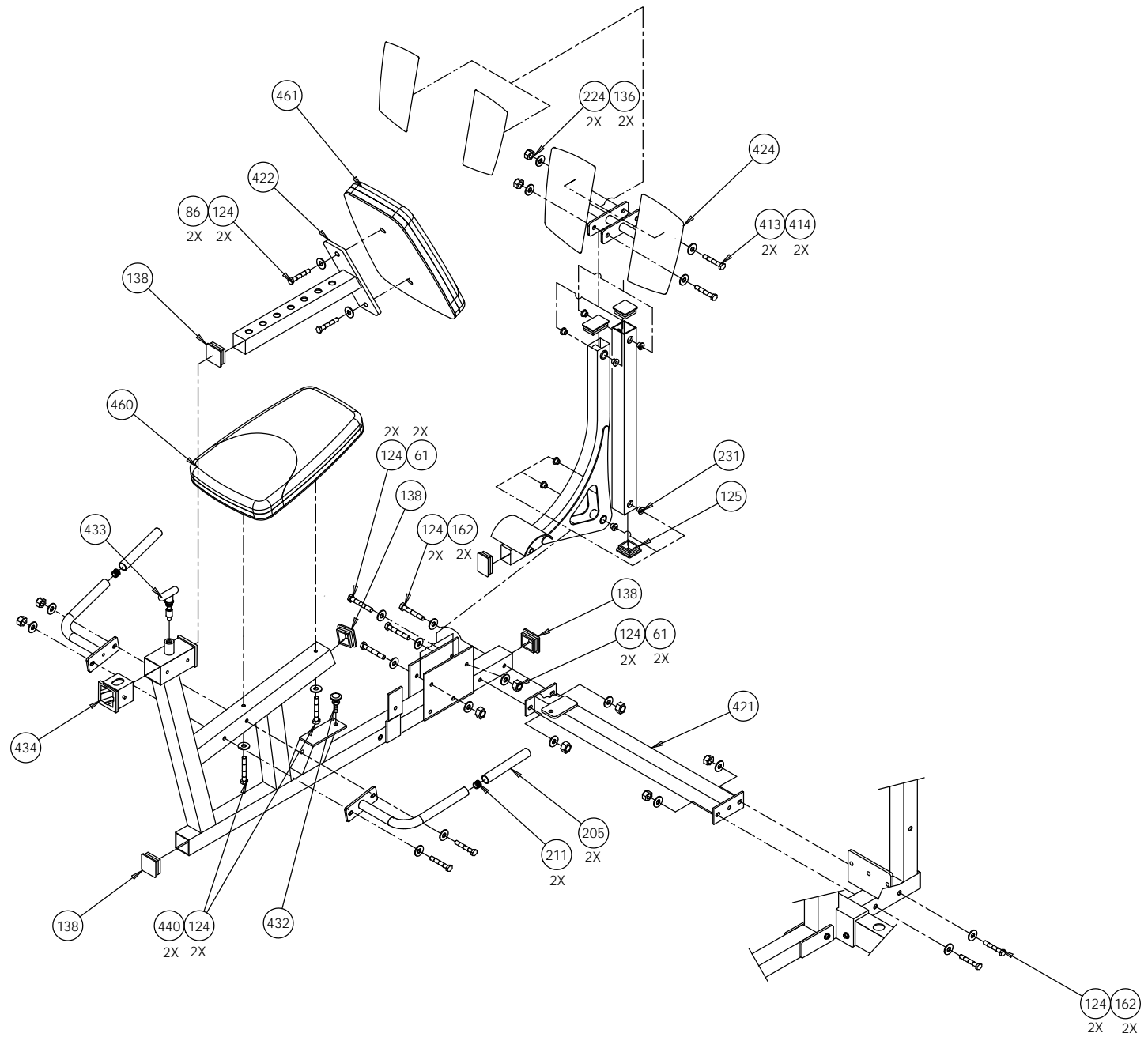
P/N : 41829-104

SUBREV : N02

DRAWN BY : C THOMSON

DATE : 10 MAR 2009

SHEET 11 OF 12



S3.25, LP4, STONE GRAY	P/N : 41829-104	SUBREV : N02
DRAWN BY : C THOMSON	DATE : 10 MAR 2009	SHEET 12 OF 12